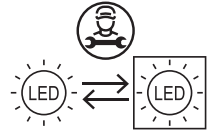
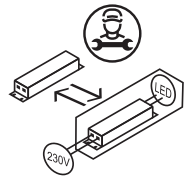


Installation Instructions



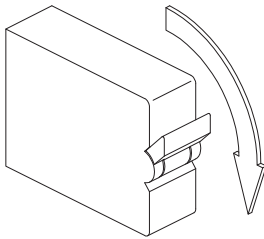
RoHS
compliant



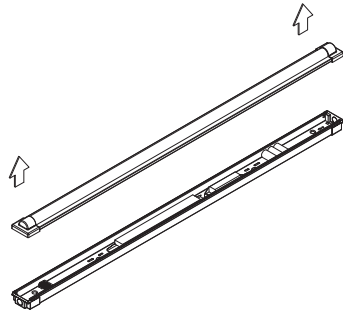
Important Information

- ◆ It is recommended that luminaires are installed / maintained by a fully qualified electrician and wired in accordance to the latest IEC standards or national equivalent.
- ◆ Mains power must be switched off during any installation or maintenance.
- ◆ This product is guaranteed for a period of 5 years from date of purchase. The guarantee is invalid in the case of improper use, improper installation or tampering. Should the product fail during the guarantee period it will be replaced free of charge, subject to correct installation and return of the faulty unit. The manufacturer is not responsible for any costs associated with the replacement of this product.
- ◆ This product may contain substances that can be hazardous to the environment if not disposed of properly. Electrical and electronic equipment should never be disposed of with general household waste but must be separated for its correct treatment and recovery. Where possible recycle your packaging.
- ◆ This product contains a light source of energy efficiency class C.

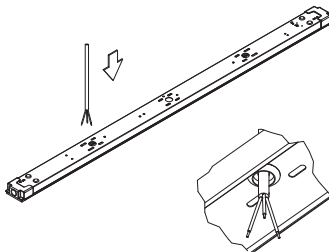
1



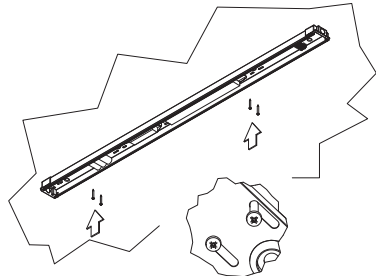
2



3

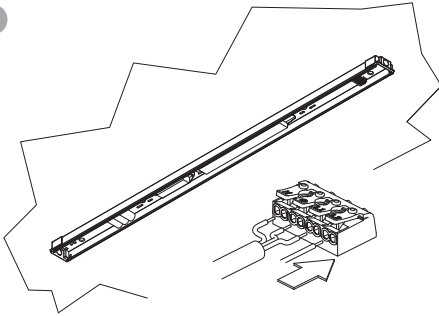


4

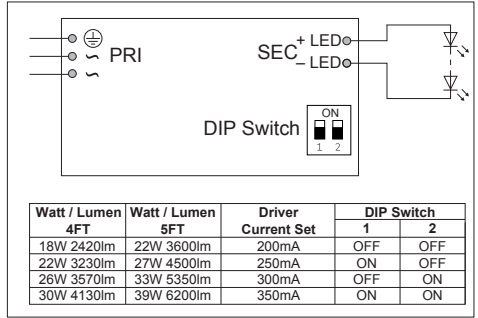
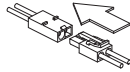


Installation Instructions

5



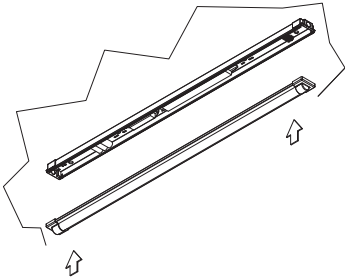
Emergency version



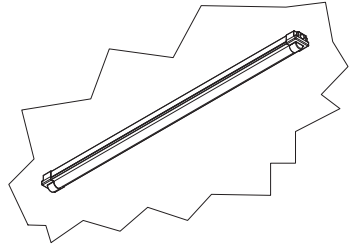
Watt / Lumen 4FT	Watt / Lumen 5FT	Driver Current Set	DIP Switch	
			1	2
18W 2420lm	22W 3600lm	200mA	OFF	OFF
22W 3230lm	27W 4500lm	250mA	ON	OFF
26W 3570lm	33W 5350lm	300mA	OFF	ON
30W 4130lm	39W 6200lm	350mA	ON	ON

Select wattage by setting different current

6



7



8

